

BOARD MOUNT SOCKET (Right Angle)

FEATURES

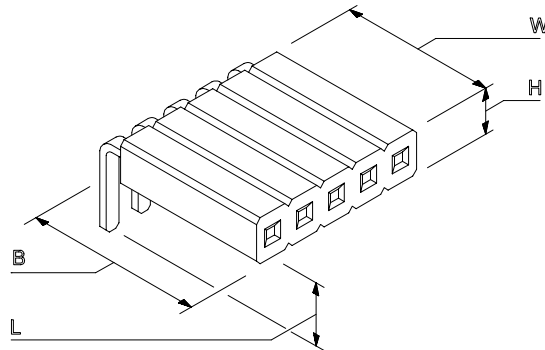
- Chamfered entry prevents pin stubbing
- High reliability tuning fork contact
- Available with kinked tail for board retention
- Selective plating options available
- Mates with Crane's PEG, MPEG, LPEG, and TPEG Headers

STANDARD PART DIMENSIONS

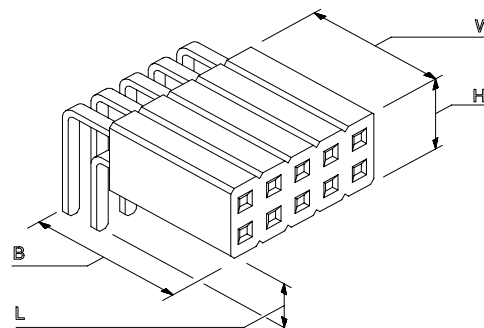
INSULATOR BODY		Single Row	Dual Row
W	WIDTH	0.335" / 8,51mm	0.335" / 8,51mm
H	HEIGHT	0.098" / 2,49mm	0.195" / 4,95mm
PC TAIL		Single Row	Dual Row
L	LENGTH	0.100" / 2,54mm	0.100" / 2,54mm
WIDTH x LENGTH		0.016" x 0.031" / 0,41mm x 0,79mm	
POST CENTERLINE DIMENSIONS (Above PC Board)			
		Single Row	Dual Row
B	Post Centerline To Insulator Body	0.395" / 10,03mm	0.495" / 12,57mm
MATERIALS			
INSULATOR BODY		Glass Filled Polyester (UL94V-O)	
CONTACT		Phosphor Bronze	

See SPECIFICATIONS and PERFORMANCE DATA for more information.

SINGLE ROW (1 to 40 Positions)



DUAL ROW (2 to 80 Positions)





SAMPLE HOTLINE: 1-800-676-7644

0.100" (2,54mm) Centers To Mate With 0.025" (0,64mm) Square Posts	HOW TO ORDER CRANE'S ATT SERIES								OPT
	STANDARD PART NUMBER								
PRODUCT SERIES	ATT				--				
TOTAL NUMBER OF POSITIONS	SINGLE	01-40							
	DUAL	02-80							
NUMBER OF ROWS	SINGLE	S							
	DUAL	D							
TYPE OF SOCKET	RIGHT ANGLE	R							
CONTACT PLATING (See Below For Specifications)	CHOOSE G, T or M, H, L, F								
	NOTE: Some platings may be subject to minimums								
TAIL PLATING	SAME AS CONTACT							C	
	TIN / LEAD (USED WITH GOLD CONTACT)							T	
CONTACT SPACING	0.100" x 0.100" (2,54mm x2,54mm)								A
BOARD RETENTION OPTION	KINKED TAILS								K

SAMPLE HOTLINE: 1-800-676-7644

CRANE CONNECTORS - PLATING SPECIFICATIONS

PLATING OPTIONS		CONTACT AREA Inches (Millimeters)	PC TAIL Inches (Millimeters)	UNDERPLATE Inches (Millimeters)
G	Selective	15 μ " (0,00038) Gold	100 μ " (0,00254) Tin/Lead - Min	50 μ " (0,00127) Nickel - Min.
T	Tin / Lead	100 μ " (0,00254) Tin / Lead	100 μ " (0,00254) Tin/Lead - Min	50 μ " (0,00127) Nickel - Min.
M	Selective	50 μ " (0,00127) Gold	100 μ " (0,00254) Tin/Lead - Min	50 μ " (0,00127) Nickel - Min.
H	Selective	30 μ " (0,00076) Gold	100 μ " (0,00254) Tin/Lead - Min	50 μ " (0,00127) Nickel - Min.
L	Selective	10 μ " (0,00025) Gold	100 μ " (0,00254) Tin/Lead - Min	50 μ " (0,00127) Nickel - Min.
F	Selective	3 μ " (0,00008) Gold	100 μ " (0,00254) Tin/Lead - Min	50 μ " (0,00127) Nickel - Min.

STANDARDS	
 UL File No. E120111 (N)	ISO9001  Crane Connectors File No. A-3620
Recognized to U.S. and Canadian requirements under the Component Recognition Program of Underwriters Laboratories Inc.	Registered by UL to ISO9001 under UL's accreditation by Raad voor de Certificatie (RvC), the Dutch Council for Certification.

ENGINEERING NOTE: The information presented in this catalog page is accurate to the best of our knowledge. Due to ongoing efforts to advance design and material performance, the information is subject to change without notice.

SAMPLE HOTLINE: 1-800-676-7644