

.050" SURFACE MOUNT HEADER (Straight, Dual Insulator)

FEATURES

- Excellent for low profile board stacking
- Smaller centers allow higher density packaging
- IR, Vapor Phase and Wave Solder compatible
- Tailored applications available ... call us!
- Mates with Crane's ATF and AFF Series sockets

STANDARD PART DIMENSIONS

MATING		Single Row MPFH	Dual Row MPFH	Dual Row MPFF
P	POST "B"	Please refer to the chart on the next page for a wide selection of common board spacing options. Call us if the size you need is not listed.		
I	POST "C"			
L	POST "I"			

INSULATOR BODY		Single Row MPFH	Dual Row MPFH	Dual Row MPFF
W	WIDTH	0.100" / 2,54mm	0.180" / 4,57mm	0.130" / 3,30mm
H	HEIGHT	0.050" / 1,27mm	0.050" / 1,27mm	0.050" / 1,27mm
C1	ROW TO ROW	N/A	0.100" / 2,54mm	0.050" / 1,27mm

RECOMMENDED PC BOARD LAYOUT		Single Row MPFH	Dual Row MPFH	Dual Row MPFF
A	PAD CENTERLINE SPACING	0.050" / 1,27mm	0.050" / 1,27mm	0.050" / 1,27mm
B		0.100" / 2,54mm	0.220" / 5,59mm	0.170" / 4,32mm
C2	PAD SIZE	0.025" / 0,64mm	0.025" / 0,64mm	0.025" / 0,64mm
D	PAD SIZE	0.100" / 2,54mm	0.100" / 2,54mm	0.100" / 2,54mm

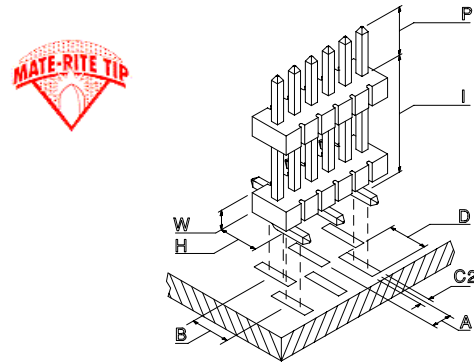
MATERIALS

INSULATOR BODY	High Temperature Thermoplastic (UL94V-O)
POST	Phosphor Bronze

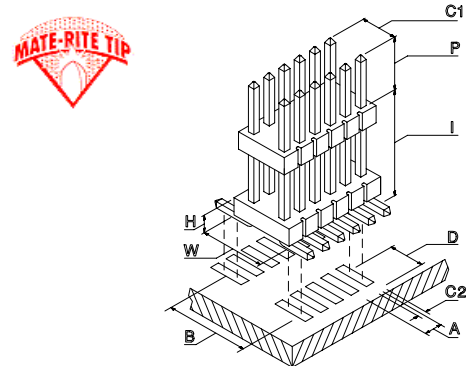
See SPECIFICATIONS and PERFORMANCE DATA for more detail

Mates with Crane's ATF and AFF Series Board Mount Sockets

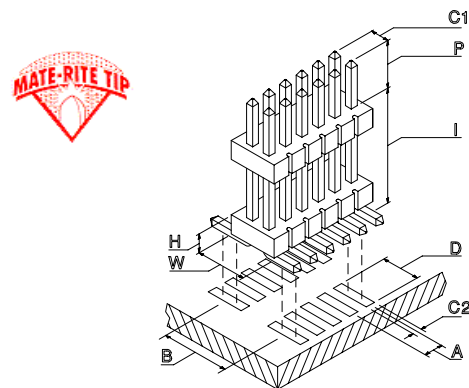
SINGLE ROW (3 to 60 Positions) - MPFH



DUAL ROW (4 to 120 Positions) - MPFH



DUAL ROW (4 to 120 Positions) - MPFF



SAMPLE HOTLINE: 1-800-676-7644

0.050" (1,27mm) Centers 0.018" (0,46mm) Square Mating Posts		HOW TO ORDER CRANE'S MPFF / MPFH SERIES										
		STANDARD PART NUMBER										
							--				--	
PRODUCT SERIES		MPF										
INSULATOR STYLE			SINGLE	H								
	050 x 100		DUAL	H								
	050 x 050		DUAL	F								
TOTAL NUMBER OF POSITIONS			SINGLE	03-60								
			DUAL	04-120								
NUMBER OF ROWS			SINGLE	S								
			DUAL	D								
TYPE OF HEADER			STRAIGHT		S							
PLATING (See Specs Below)		G or T										
TAIL		SURFACE MOUNT		S								
SELECTED OPTIONS				POST LENGTH "P"	INSUL. SPACING "I"	PIN LENGTH L = P + I +0.060"						
Many other sizes are available. Please call us at 1-800-676-6744 or Email us at www.cranecollectors.com and give us your exact requirements.				0.080" = E	0.100" = C	0.240" = C	E	C	C			
				0.140" = N	0.150" = E	0.350" = H	N	E	H			
				0.120" = C	0.175" = F	0.350" = H	C	F	H			
				0.220" = B	0.175" = F	0.450" = L	B	F	L			
				0.090" = G	0.200" = G	0.350" = H	G	G	H			
				0.120" = C	0.200" = G	0.380" = I	C	G	I			
				0.140" = N	0.250" = I	0.450" = L	N	I	L			
				0.090" = G	0.300" = K	0.450" = L	G	K	L			
				0.140" = N	0.350" = M	0.550" = P	N	M	P			
				0.120" = C	0.375" = N	0.550" = P	C	N	P			
				0.140" = N	0.450" = Q	0.650" = T	N	Q	T			
				0.090" = G	0.500" = S	0.650" = T	G	S	T			

SAMPLE HOTLINE: 1-800-676-7644

CRANE CONNECTORS - PLATING SPECIFICATIONS

PLATING OPTIONS		CONTACT AREA Inches (Millimeters)	PC TAIL Inches (Millimeters)	UNDERPLATE Inches (Millimeters)
G	Selective	15 _μ " (0,00038) Gold	100 _μ " (0,00254) Tin/Lead - Min	50 _μ " (0,00127) Nickel - Min.
T	Tin / Lead	100 _μ " (0,00254) Tin / Lead	100 _μ " (0,00254) Tin/Lead - Min	50 _μ " (0,00127) Nickel - Min.
M	Selective	50 _μ " (0,00127) Gold	100 _μ " (0,00254) Tin/Lead - Min	50 _μ " (0,00127) Nickel - Min.
H	Selective	30 _μ " (0,00076) Gold	100 _μ " (0,00254) Tin/Lead - Min	50 _μ " (0,00127) Nickel - Min.
L	Selective	10 _μ " (0,00025) Gold	100 _μ " (0,00254) Tin/Lead - Min	50 _μ " (0,00127) Nickel - Min.
F	Selective	3 _μ " (0,00008) Gold	100 _μ " (0,00254) Tin/Lead - Min	50 _μ " (0,00127) Nickel - Min.

ENGINEERING NOTE:

The information presented in this catalog page is accurate to the best of our knowledge. Due to ongoing efforts to advance design and material performance, the information is subject to change without notice.

STANDARDS

ISO9001



Crane Connectors
File No. A-3620

Registered by UL to ISO9001 under UL's accreditation by Raad voor de Certificatie (RvC), the Dutch Council for Certification.

SAMPLE HOTLINE: 1-800-676-7644