

# SHROUDED HEADERS (Dual Row, Low Profile)

### FEATURES

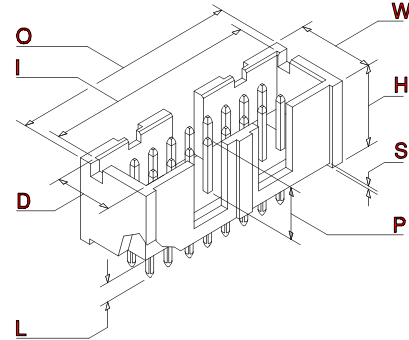
- Triple keying slots assure proper mating
- PLS mates with IDC socket connectors on 0.100" centers
- PLT mates with most standard sockets, including Crane's ATP Series
- Coined tails improve solder action
- MATE-RITE TIP™ prevents scraping of mating socket

### STANDARD PART DIMENSIONS

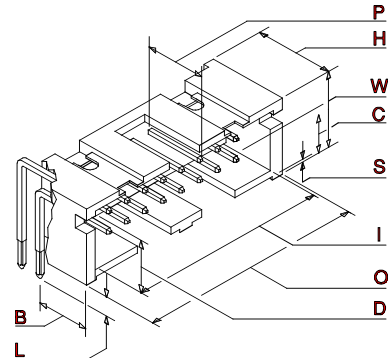
MATING		PLS Dual Row (Cable Version)	PLT Dual Row (Connector Version)
P	POST "B"	0.240" / 6,10mm	0.240" / 6,10mm
INSULATOR BODY		PLS Dual Row (Cable Version)	PLT Dual Row (Connector Version)
W	WIDTH	0.360" / 9,14mm	0.360" / 9,14mm
D	DEPTH	0.260" / 6,60mm	0.260" / 6,60mm
H	HEIGHT	0.365" / 9,27mm	0.365" / 9,27mm
S	STANDOFF	0.015" / 0,38mm	0.015" / 0,38mm
I	INSIDE	(#POS./2 x 0.100") + 0.210"	(#POS./2 x 0.100") + 0.110"
O	OVERALL	(#POS./2 x 0.100") + 0.300"	(#POS./2 x 0.100") + 0.200"
PC TAIL		PLS Dual Row (Cable Version)	PLT Dual Row (Connector Version)
L	LENGTH	0.120" / 3,05mm	0.120" / 3,05mm
For other lengths, see Selected Options (next page)			
POST CENTERLINE DIMENSIONS		PLS Dual Row (Cable Version)	PLT Dual Row (Connector Version)
C	Height above PC Board	0.130" / 3,30mm	0.130" / 3,30mm
B	Post Centerline To Insulator Body	0.365" / 9,27mm	0.365" / 9,27mm
MATERIALS			
INSULATOR BODY		Glass Filled Polyester (UL94V-O)	
POST		Phosphor Bronze	

See SPECIFICATIONS and PERFORMANCE DATA for more detail

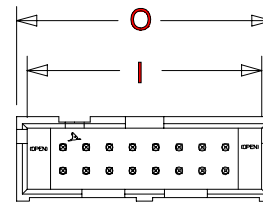
### STRAIGHT (10 to 60 positions)



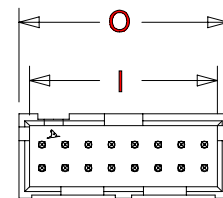
### RIGHT ANGLE (10 to 60 positions)



PLS



PLT



**SAMPLE HOTLINE: 1-800-676-7644**

**0.100" (2,54mm) Centers  
0.025" (0,64mm) Square  
Mating Posts**

**HOW TO ORDER CRANE'S PLS/PLT SERIES**

STANDARD PART NUMBER

OPTIONAL

					--										
<b>PRODUCT SERIES</b>	Cable Version	PLS													
	Conn. Version	PLT													
See box below for sizes offered.															
<b>TOTAL NUMBER OF POSITIONS</b>	DUAL	10-60													
<b>NUMBER OF ROWS</b>	DUAL	D													
<b>TYPE OF HEADER</b>	STRAIGHT	S													
	RIGHT ANGLE	R													
<b>PLATING (See plating chart below)</b>	CHOOSE G, T or M, H, L, F														
NOTE: Due to the number of options, not all platings are stocked for all lengths.															
<b>MATING POST DATA</b>	Mating Post Length	Min. Gold Plated Area													
	0.240" / 6,10mm	0.180" / 4,57mm	B												
<b>TAIL (0.120" / 3,05mm Standard)</b>	COINED	0.028" / 0,71mm Diagonal	R												
	KINKED	0.028" / 0,71mm Diagonal	K												
	FINE LINE*	0.018" / 0,46mm Diagonal	F												
	SQUARE	0.025" / 0,64mm Square	Q												
*NOTE: The Fine Line Option is not available in all pin lengths.															
<b>SELECTED OPTIONS</b>															
NOTE: Leave this section blank if the following does not apply.										ALIGNMENT POST (STRAIGHT ONLY) **	H				
										USE WITH "K" TAIL FOR STRADDLE MOUNT	A				
** Alignment posts are molded into the insulator body. Contact factory for layout and dimensions.															
										OPTIONAL TAIL LENGTHS	0.090"	T	0	9	0
											0.165"	T	1	6	5
											0.220"	T	2	2	0
											0.300"	T	3	0	0

<b>SIZES AVAILABLE</b>	2 x 5	2 x 7
	2 x 8	2 x 10
NOTE: Other sizes may be available subject to minimum order levels. Contact factory for information.	2 x 12	2 x 13
	2 x 17	2 x 17
	2 x 25	2 x 30

**Crane's PLT and PLS Series Shrouded Headers are now available in SMT termination style. Please contact factory for more detail.**

## CRANE CONNECTORS - PLATING SPECIFICATIONS

PLATING OPTIONS		CONTACT AREA Inches (Millimeters)	PC TAIL Inches (Millimeters)	UNDERPLATE Inches (Millimeters)
<b>G</b>	Selective	15 $\mu$ l" (0,00038) Gold	100 $\mu$ l" (0,00254) Tin/Lead - Min	50 $\mu$ l" (0,00127) Nickel - Min.
<b>T</b>	Tin / Lead	100 $\mu$ l" (0,00254) Tin / Lead	100 $\mu$ l" (0,00254) Tin/Lead - Min	50 $\mu$ l" (0,00127) Nickel - Min.
<b>M</b>	Selective	50 $\mu$ l" (0,00127) Gold	100 $\mu$ l" (0,00254) Tin/Lead - Min	50 $\mu$ l" (0,00127) Nickel - Min.
<b>H</b>	Selective	30 $\mu$ l" (0,00076) Gold	100 $\mu$ l" (0,00254) Tin/Lead - Min	50 $\mu$ l" (0,00127) Nickel - Min.
<b>L</b>	Selective	10 $\mu$ l" (0,00025) Gold	100 $\mu$ l" (0,00254) Tin/Lead - Min	50 $\mu$ l" (0,00127) Nickel - Min.
<b>F</b>	Selective	3 $\mu$ l" (0,00008) Gold	100 $\mu$ l" (0,00254) Tin/Lead - Min	50 $\mu$ l" (0,00127) Nickel - Min.

### STANDARD TAIL OPTIONS ON 0.100" (2,54mm) PIN STRIP HEADERS

"R" COINED	"K" KINKED	"F" FINE	"Q" SQUARE
The standard "R" option provides a coined tail improving solder action while making insertion easier.	The "K" option provides a kinked tail, reducing unwanted movement on the PC board.	The "F" option combines an 0.018" rounded tail with an 0.025" square post. This fine line feature allows more traces between holes.	The "Q" option provides an 0.025" square tail for use in wire wrap applications.

### STANDARDS

 UL File No. E120111 (N)	ISO9001  Crane Connectors File No. A-3620
Recognized to U.S. and Canadian requirements under the Component Recognition Program of Underwriters Laboratories Inc.	Registered by UL to ISO9001 under UL's accreditation by Raad voor de Certificatie (RvC), the Dutch Council for Certification.

**ENGINEERING NOTE:** The information presented in this catalog page is accurate to the best of our knowledge. Due to ongoing efforts to advance design and material performance, the information is subject to change without notice.

**SAMPLE HOTLINE: 1-800-676-7644**

**CRANE CONNECTORS** • 4700 Smith Road • Cincinnati, Ohio 45212 USA • E-mail Address: [info@craneconnectors.com](mailto:info@craneconnectors.com)  
 Phone: (513) 631-4700 • Fax (513) 631-5700 • Toll Free US (800) 676-7644 • Canada (800) 420-7310