

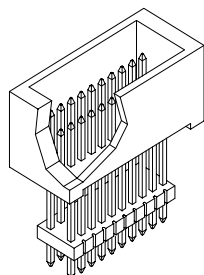
MPLH Series Offers Height and Density

CINCINNATI, OHIO

SALES BULLETIN SB-0900

MPLH Micro Headers

Crane Connectors' new **MPLH** Series Micro Shrouded Headers on 0.050" x 0.100" (1,27mm x 2,54mm) centers are excellent for applications requiring **HEIGHT** and **DENSITY**. When used in combination with Crane's **ATF** Series Micro Sockets, board stacking combinations as high as 1.100" are achievable (see chart on reverse side for board stacking detail).

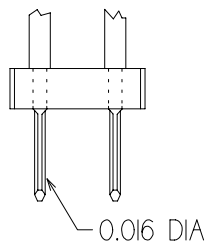


Additionally, **FOUR WALL** shielding provides unmated pin protection, while helping to insure a "positive" mating sequence. Crane's **MPLH** Series Shrouded Headers are available in gold (15u and flash gold are standard) and tin plating in pin counts up to 100 (2x50). **MPLH** headers and **ATF** sockets are available in multiples of ten only.

NOTE: The mating socket (ATF Series) to this part is available in gold only. Tin/lead plating does not provide sufficient normal forces to yield a gas-tight connection.

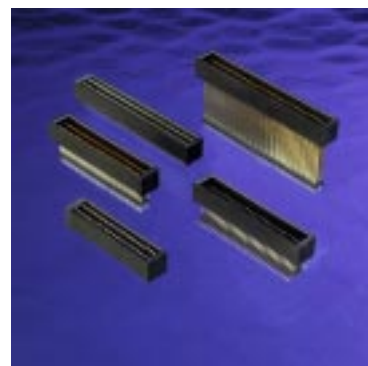
FINE LINE Tail Option

MPLH Series Micro Shrouded Headers are also available with Crane's unique **FINE LINE TAIL** option. By selecting the Fine Line ("F") feature, designers will receive a tail coined to 0.016" (0,46mm) in diameter. Since the pin will then fit a plated-thru hole diameter of 0.020", the designer is given greater flexibility in circuit board design and layout.



Great For Intrusive Reflow

Crane's **MPLH** Series Headers are excellent for applications using intrusive ("pin-in-paste," "paste-in-hole") reflow soldering techniques. Since the fine line tail is coined to 0.016" diameter, there is less "tail mass" to interfere with the solder paste upon insertion. Some versions of this part are available with strategically placed insulator "bumps" to provide standoff capability without mashing solder paste during placement.



Crane's Micro Shrouded Headers Come In Thru-Hole and SMT Versions

Available In SMT Style

Crane's **MPLH** Series Micro Shrouded Headers are also available in a surface mount tail configuration. Our high temperature plastic is excellent with IR (Infrared), Wave and Vapor Phase soldering techniques, providing both flame retardancy and stiffness at elevated temperatures.

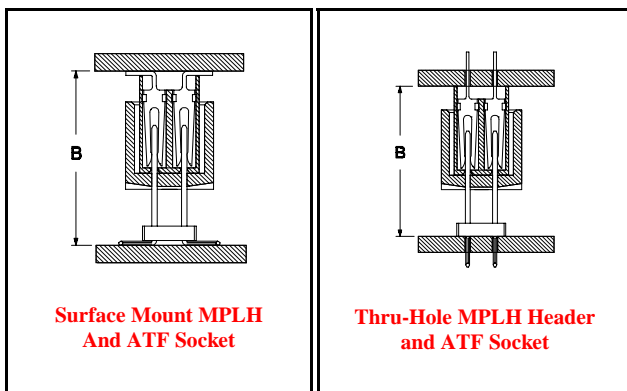
The **MPLH** Series with SMT tails is available in seven standard body heights, but **TAILORED** ("Non-Standard, No Penalty") sizes are available as well. Please reference charts on the reverse side for available heights and board stacking applications.

Product Specifications

CATEGORY	MPLF Series	MPLH Series	
Insulator Material	Hi Temp	Hi Temp	
Contact Material	Phos Bronze	Phos Bronze	
Current Rating	1 Amp	1 Amp	
Temp. Range (with Tin)	-65° to 105° C	-65° to 105° C	
Temp. Range (with Gold)	-65° to 125° C	-65° to 125° C	
Peak Temp (60 seconds)	249° C	249° C	
HDF @ 1.8 Mpa (264 psi)	284° C	284° C	
Melting Point	295° C	295° C	
Flammability Rating	UL 94 V-O	UL 94 V-O	
Insulation Resistance	5,000 Megohms	5,000 Megohms	
Dielect. Withstand. Voltage	650 VAC RMS	650 VAC RMS	
Termination Styles	Thru-Hole/SMT	Thru-Hole/SMT	
Insulator Color	Black	Black	
Plating Options	G	15u Mating Tin/Lead Tail	15u Mating Tin/Lead Tail
	F	Au Flash Mating Tin/Lead Tail	
	T	Tin/Lead Mating Tin/Lead Tail	
Quality System	ISO 9001	ISO 9001	

Great For Board Stacking

When combined with Crane's **ATF** Series Board Mount Sockets, the **MPLH** Series provides a variety of board stacking options to the designer. The charts below provide just a few of the board-to-board heights achievable. If the size you need is not listed, give us a call and we'll **TAILOR** one to your exact requirements.



Surface Mount MPLH
And ATF Socket

Thru-Hole MPLH Header
and ATF Socket

THRU-HOLE Board Stacking Applications

(When mated with Crane's ATF Series Sockets)

SOCKET STYLE	HEADER STYLE (See Page 82-83 in C57 Catalog)					BOARD SPACE ACHIEVED ("B")
ATF +	MPLH	O	E	F	=	0.500"
ATF+	MPLH	K	L	L	=	0.625"
ATF+	MPLH	K	O	O	=	0.700"
ATF+	MPLH	K	Q	Q	=	0.750"
ATF+	MPLH	B	C	E	=	0.450"
ATF+	MPLH	K	V	V	=	0.935"
ATF+	MPLH	K	Y	Y	=	1.100"

SURFACE MOUNT Board Stacking Applications

(When mated with Crane's ATF Series Sockets)

SOCKET STYLE	HEADER STYLE (See Page 82-83 in C57 Catalog)					BOARD SPACE ACHIEVED ("B")
ATF +	MPLH	N	C	—	=	0.450"
ATF+	MPLH	C	E	—	=	0.500"
ATF+	MPLH	H	I	—	=	0.575"
ATF+	MPLH	R	L	—	=	0.625"
ATF+	MPLH	C	O	—	=	0.700"
ATF+	MPLH	N	Q	—	=	0.750"
ATF+	MPLH	C	S	—	=	0.810"

Crane's **MPLH** Series Shrouded Headers have been used in a wide variety of applications including aerospace, networking, web servers, medical and test instrumentation, and high density storage.

Please reference Crane's C57 Full Line Catalog for a wide selection of 0.050" (1,27mm) micro headers and sockets.

For more information
- PRICES, SAMPLES, QUOTES -
call us at 800-676-7644 (U.S.) or
800-420-7310 (Canada), or contact us via
E-mail at info@craneconnectors.com